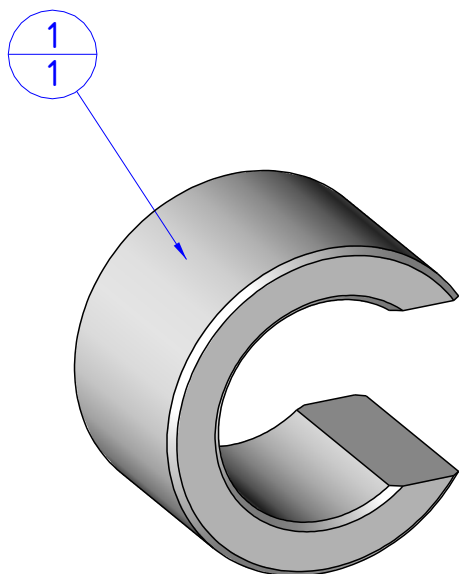
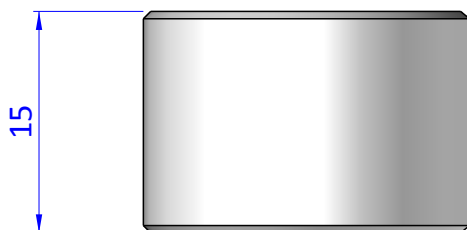
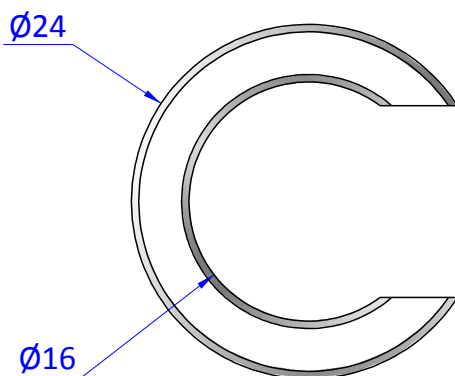


THE PROPERTY OF THE DRAWING IS ESTABLISHED BY LAW. IT IS FORBIDDEN TO PRODUCE OR SHOW IT TO THIRD PART. WITHOUT A WRITTEN AGREEMENT.

Item	Name	Q.ty
1	DB.15.32	1



Format A4 UNI 936-76			DESIGNED FROM FPS Automation		REVIEW A
	GENERAL TOLERANCE UNI - ISO 2768 CLASSE f	DESCRIPTION CA.DB.15.32	DATE 07/06/2019	WEIGHT 0,004kg	
			CODE CA.DB.15.32		